

HAUG Ionization - for the elimination of electrostatic charges



III. 1: EI VS / VS Nut

EI VS

The HAUG EI VS ionizing bar reliably removes electrostatic charges and its performance, when compared to the standard version, is considerably enhanced.

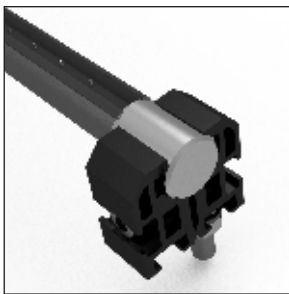
The EI VS ionizing bar has all of the typical features that characterize HAUG ionizing bars: the reliable and removable connection system, the shielded high-voltage cable, the special stainless-steel electrodes and the convenience of being safe to touch.

The version EI VS Nut is equipped with a continuous T-slot. This allows the bar to be mounted without additional brackets (see III. 3) with minimum mounting effort and greatest possible flexibility in the choice of fastening points.

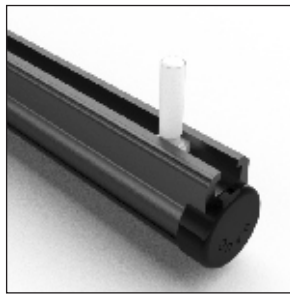
The electrical capacity is three times as great as the standard version and, therefore, it is necessary to base any power pack load calculations on a bar length three times as long.

Example: EI VS 50 cm with 200 cm cable
Power pack load: $3 \times 50 \text{ cm} + 200 \text{ cm} = 350 \text{ cm}$

Also available: EI VSE, EI VSA, EI VSAE (p.t.o.)



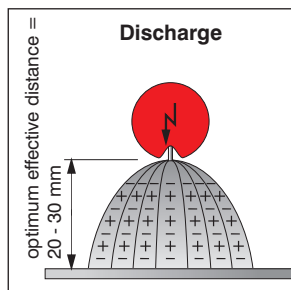
III. 2: Mounting EI VS



III. 3: Mounting EI VS Nut



III. 4: System X-2000

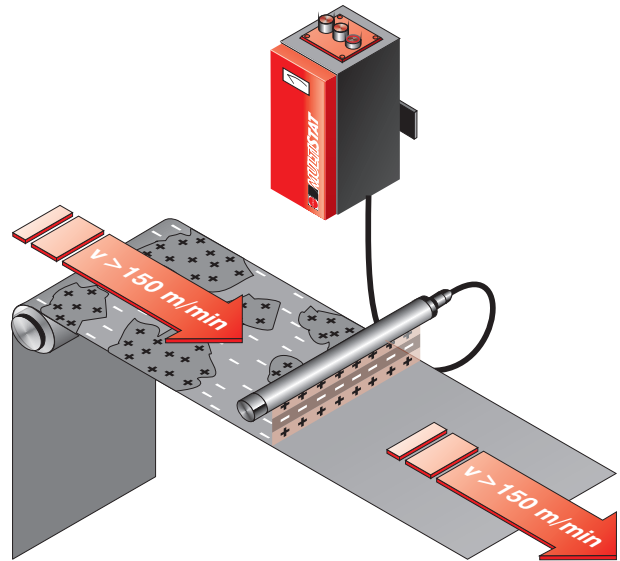


III. 5: Discharge

HAUG ionization systems

HAUG ionization systems consist of the following components:

- a power pack with integrated high-voltage transformer and
- one or several connected ionizing devices supplied by the power pack with a voltage of 7–8 kV_{AC}.



III. 6: Application example

Applications

- **Plastic processing industry:** Film processing, packaging machines, film extruders, etc.
- **Textile industry:** Weaving and spinning mills, textile finishing plants, etc.
- **Graphic industry:** Screen and pad printing machines, photographic and film processing machines, folding machines, etc.

HAUG GmbH & Co. KG

Germany

Friedrich-List-Str. 18
D-70771 Leinf.-Echterdingen
Phone: +49 711 / 94 98-0
Telefax: +49 711 / 94 98-298

www.haug.de
E-mail: info@haug.de

HAUG Biel AG

Switzerland

Johann-Renfer-Str. 60
CH-2500 Biel-Bienne 6
Phone: +41 32 / 344 96 96
Telefax: +41 32 / 344 96 97

www.haug-ionisation.com
E-mail: info@haug-biel.ch





Accessories EI VS

Bar holder "Klick-Zack"	Order-No.: 10.0004.000
Bar holder, closed	Order-No.: 10.0227.000
Clamping holder, 2 parts	Order-No.: 10.0268.000
Bracket, large	Order-No.: X-0404 a.o.

Accessories EI VSA / EI VSA Nut

detachable HV-cable	
VK Norm 21	Order-No.: 05.8517.000
VK Norm 22	Order-No.: 02.8522.000
VK Norm 23	Order-No.: 05.8519.000
VK Norm 24	Order-No.: 05.8518.000

Power packs EI VSA / EI VSA Nut

Connectable lengths (ionizing unit incl. hv-cable):

EN SL	max. 5 m
EN SL LC / EN SL RLC	max. 10 m
EN 8 / EN 8 LC	max. 18 m
Multistat	max. 18 m
EN 70 / EN 70 LC	max. 2 x 18 m

Please pay attention to the multiplier (see verso)!

EI VS

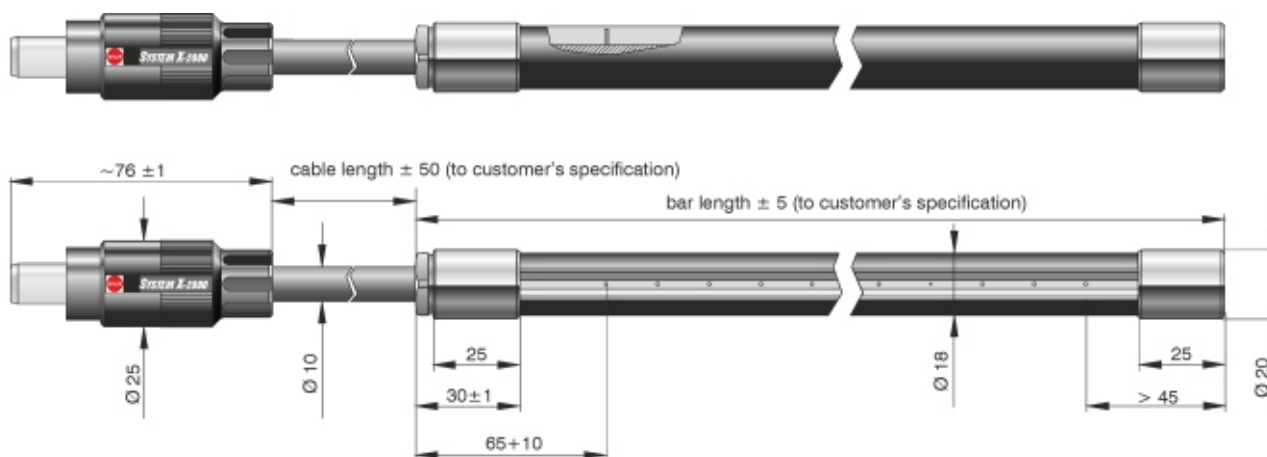
Technical data EI VS

Types:	EI VS	Order-No.: 03.8020.000
	EI VS Nut	Order-No.: 03.8530.xxx
	special bar for high charges on high-speed machines, cable and bar inseparable.	
	HV-cable	Order-No.: 06.0210.000
	EI VSE	Order-No.: 03.8022.000
	EI VSE Nut	Order-No.: on request
	as EI VS, with HV-connection on end of bar for series connection of ionizing units	
	EI VSA	Order-No.: 03.8021.000
	EI VSA Nut	Order-No.: on request
	for connection of a highly flexible, detachable HV-cable	

EI VSAE	Order-No.: 03.8023.000
EI VSAE Nut	Order-No.: on request
as EI VSA, with HV-connection on end of bar for series connection of ionizing units	

Diameter:	18 mm / 20 mm
Length:	150 mm – 2500 mm
Operating temperature:	+5 °C to +45 °C
Storage/transport temperature:	-15 °C to +60 °C
Optimum effective distance:	20 – 30 mm
Effective length:	bar length - 120 mm
Smallest bending radius (cable):	R 50

Subject to technical changes!



Version EI VS Nut

