

HAUG Ionization - for the elimination of electrostatic charges



Web Cleaner 1

These units are used for removing dust from surfaces. The functional modules consist of ionization, air jet and extraction. These modules are coordinated effectively within a closed system.

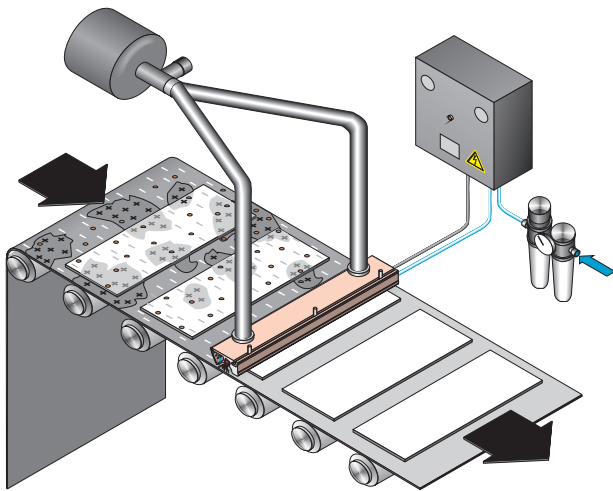
Function

The **Web Cleaner 1** web dusting unit is connected to a high-voltage power pack. The air jet and extraction units can either be connected to existing utilities or to specially designed accessories.

The following ionizing bar can be combined with the **Web Cleaner 1** housing:

- Ionizing bar EI PRX

III.1



Compressed air

Compressed air of a quality suitable for spraying applications must be available, i.e. it must be free of oil and water. The upstream installation of a service unit with integrated oil and water separator is recommended.

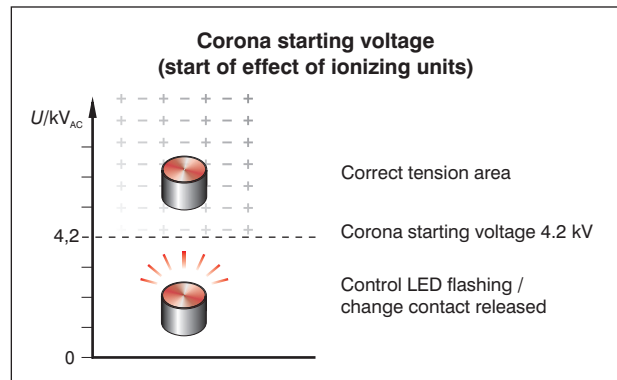
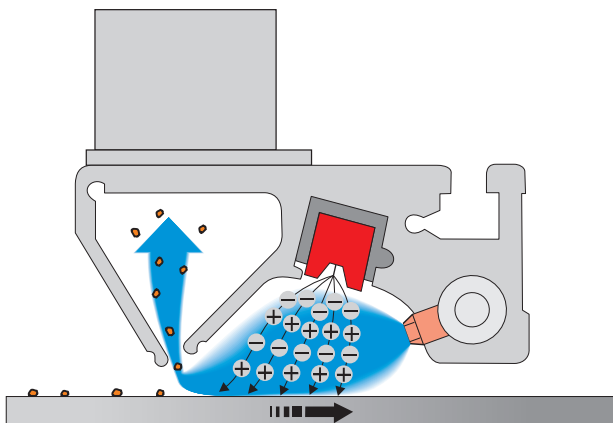
Web speeds

The maximum web speed of the standard version is approx. 80 m/min. Higher speeds are available on request.

Typical applications

Plastics, furniture, paper, print, film, foil, automotive, electrical and other industries.

III.2



III.3

Pulsed operation

The application of Web Cleaner systems in pulsed operation can be recommended for media transported with intermediate distances/gaps.

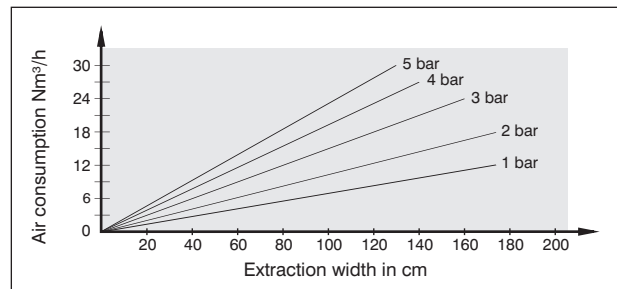
Advantage: reduced costs (e.g. for compressed air).

Pulsed operation can be controlled by external input to the switchgear (power pack), e.g. using photoelectric sensors, proximity switches or other potential-free contacts.

Continuous operation

The application of Web Cleaner systems in continuous operation can be recommended if the medium to be cleaned passes through continuously.

III.4



Air consumption diagram

Air consumption in $\text{N m}^3/\text{h}$ as a function of extraction width and operating pressure (ill.4)

HAUG GmbH & Co. KG

Germany

Friedrich-List-Str. 18
D-70771 Leinf.-Echterdingen
Phone: +49 711 / 94 98-0
Telefax: +49 711 / 94 98-298

www.haug.de
E-mail: info@haug.de

HAUG Biel AG

Switzerland

Johann-Renfer-Str. 60
CH-2500 Biel-Bienne 6
Phone: +41 32 / 344 96 96
Telefax: +41 32 / 344 96 97

www.haug.swiss
E-mail: info@haug.swiss





Web Cleaner 1

Technical data

Type:	WXC 1	Order-No.: 04.0110.000
Dimensions:	80 x 35 mm	
Lengths:	45 – 1200 mm (larger lengths on request)	
Weight:	approx. 4 kg/m	
Cable outgoing:	available right or left	
Operating temperature:	+5 °C to +45 °C	
Storage/transport temperature:	-15 °C to +60 °C	
Smallest bending radius (cable):	R 50	

Subject to technical changes!

Accessories

Compressed-air hose	Ø 12 x 9 mm	Order-No.: X-6616
Radial fan		Order-No.: X-1516
Filter control valve		Order-No.: 11.7210.001

