

Operating instructions EI W



The resistance-coupled Ionizing bar EI W



Static Line

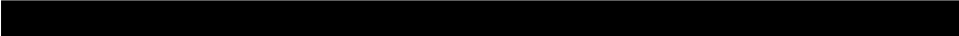


V02




Table of contents

1	Notes on operating instructions.....	5
1.1	Pictorial markings used.....	5
2	Safety.....	6
2.1	Intended use.....	7
2.2	Danger sources.....	7
2.3	Operator qualifications.....	7
3	Installation.....	8
3.1	Important installation notes.....	8
3.2	EI W.....	9
4	Application.....	10
4.1	Putting into operation.....	10
5	Remedy of defects.....	11
5.1	Troubleshooting.....	11
6	Maintenance and repairs.....	12
6.1	Cleaning of ionizing units.....	12
6.1.1	Dry cleaning.....	13
6.1.2	Moist cleaning.....	13
6.2	Accessories.....	13
7	Technical data.....	14
7.1	Supply voltage.....	14
7.2	Ambient conditions.....	14
7.3	Dimensions.....	14
8	Disposal.....	15



This page has been left intentionally blank.



Keep in a safe place for future reference!

Types: EI W

1 Notes on operating instructions

In these operating instructions, the ionizing bar EI W is also referred "unit" or "ionizing unit" and/or ionizer.

1.1 Pictorial markings used

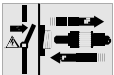
- In these operating instructions



NOT FOR USE by persons with pacemaker!



WARNING!
High voltage!
Danger of fatal accidents!



WARNING!
Switch off the power pack before connecting or disconnecting the coaxial connectors!



CAUTION!
Important instructions!

- On the unit



WARNING!
High voltage!
Danger of fatal accidents!

2 Safety



PROHIBITION!

Persons with pacemakers must keep a safety distance from the ionizer of more than 50 cm!

The ionizer is capable of interfering with the pacemaker!

Special safety instructions apply to operators with heart pacemakers; please apply to HAUG for details!



CAUTION!

The units must be protected from humidity and moisture!

The unit is operationally safe, provided that it is operated in accordance with its intended use.

In case of misuse, dangers may result:

- for life and limb of the operator,
- for the unit and other assets.

Also note chapter 3.1 (Important installation notes, page 8).



CAUTION!

The operator of the units must take care to ensure sufficient ventilation during operation!

During operation of the units, small quantities of ozone will form.

In order to ensure adherence to maximum permitted ozone concentrations at the workplace, make sure that the workplace is ventilated sufficiently during operation of the units.

2.1 Intended use



CAUTION!

Do not install or use the units in areas subject to explosion hazards!

Ionizing units generate positive and negative ions. Their purpose is the elimination of electrostatic charges (e.g. in paper, films and foils, textiles, glass, plastics etc.).

HAUG power packs only must be used for supplying the high voltage to the units.

For reasons of safety, unauthorized conversions and modifications of the unit are not permitted.

The installation and operating conditions indicated in these Operating Instructions must be adhered to.

2.2 Danger sources



WARNING!

High voltage!

Danger of fatal accidents!



WARNING!

Switch off the power pack before connecting or disconnecting the coaxial connectors!

Defective high-voltage plugs and cables may lead to danger of electric shocks. Shut down the unit immediately in case of visible damage and suspected electrical defects.

2.3 Operator qualifications

The unit may be installed and put into operation by trained electricians only and by authorized persons informed about the potential dangers. The above mentioned persons must have read the operating instructions and must follow the instructions, notes and safety advice.

3 Installation

The unit may be installed by trained electricians only and by authorized persons informed about the potential dangers. The above mentioned persons must have read the operating instructions and must follow the instructions, notes and safety advice.

3.1 Important installation notes



WARNING!
High voltage!
Danger of fatal accidents!



WARNING!
Switch off the power pack before connecting or disconnecting the coaxial connectors!



CAUTION!
Do not connect the units to the power pack until installation is completed.

The operation of the unit is not affected by its position.

3.2**EI W**

The paragraph numbers refer to the illustrations (serving as examples) included at the end of these operating instructions.

1

The units are not effective over their full length. The ratio of the effective length (l2) to the total length (l1) is indicated in the sketch.

$$EI W \quad l_2 = l_1 - 50 \text{ mm}$$

2

Most favourable distance ionizing unit - material approx. 20 - 30 mm, min. 10 mm, max. 80 mm.

3

Distance B to grounded machine part always greater than distance A.

4

Position ionizer in such a way that there is no earthed machine parts behind the material.

5

In case of materials with a particularly high dielectric resistance two units must be installed. Install the units above and below the material offset by 20 mm.

For through feed speeds of more than 100 m/min, more ionizing units will have to be used.

The units are installed in an interval of 20 mm.

6

1 ionizing unit = up to 100 m/min 2 ionizing units = 100 to 200 m/min 3 ionizing units = 200 to 300 m/min etc.

7

Install high-voltage cables without kinks.

The smallest bending radius is 50 mm.

4

Application

The unit may be put into operation by trained electricians only or by persons instructed in the potential dangers. The above mentioned persons must have read the operating instructions and must follow the instructions, notes and safety advice.



CAUTION!

The operator of the units must take care to ensure sufficient ventilation during operation!



CAUTION!

The units must be protected from humidity and moisture!

Disconnect the units properly from the voltage supply and dry if they have become wet or moist.

Ionizing units, in combination with HAUG power packs, are intended for the removal of electrostatic charges (e.g. from paper, films and foils, textiles, glass, plastics etc.).

4.1

Putting into operation

Conditions:

The power pack and the ionizing unit must be connected correctly.

1. The unit is properly connected.
2. Switch on power pack.

5 Remedy of defects



WARNING!
High voltage!
Danger of fatal accidents!



WARNING!
Switch off the power pack before connecting or disconnecting the coaxial connectors!

Any remedy of defects must be carried out by trained electricians only. The above mentioned persons must have read the operating instructions and must follow the instructions, notes and safety advice.

In case of defects regarding the power pack and the ionizing unit, please check for correct installation and implement the troubleshooting.

5.1 Troubleshooting

Faults	Measures
No ionization	Check power pack
	Check connection
	Clean ionizer
Sparks-over	Switch off the unit immediately

If this does not remedy the fault, please return the unit with the power pack to HAUG for checking (see reverse).

6 Maintenance and repairs



WARNING!
High voltage!
Danger of fatal accidents!

This unit does not include any parts which can be repaired by the operator.

Should the unit prove defective or if a defect is suspected, switch off unit immediately and secure against subsequent reuse.

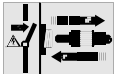
8

Clean at intervals of no more than 14 days using the special cleaning brush RB1 and special cleaning fluid SRM1 or the special cleaning system RS1 (refer to "Accessories", page 13).

6.1 Cleaning of ionizing units



WARNING!
High voltage!
Danger of fatal accidents!



WARNING!
Switch off the power pack before connecting or disconnecting the coaxial connectors!



CAUTION!
For particular applications (e. g. food, pharmaceuticals and cosmetics) where the special cleaning agent SRM1 must not be used, please confer with Haug GmbH & Co. KG first!



CAUTION!
High-voltage plugs and sockets must be protected from moisture. Never use a high-pressure cleaner on any account.

6.1.1 Dry cleaning

1. Before cleaning the unit, disconnect it first from the voltage supply.
2. Use the special cleaning brush RB1.
3. Brush off the ionizing pins using the special cleaning brush RB1 and then blow off with clean compressed air (max. 6 bar).
4. Reconnect the unit properly to the voltage supply.

6.1.2 Moist cleaning



CAUTION!

Only clean the unit moist – never wet!

Do not use water to clean the unit!

Only use cleaning agents recommended by Haug GmbH & Co. KG.

1. Before cleaning the unit, disconnect it first from the voltage supply.
2. Only use the special cleaning brush RB1 with the special cleaning agent SRM1 or the special cleaning system RS1.
3. Moisten the special cleaning brush RB1 with the special cleaning agent SRM1 and brush the ionizing pins. Then blow off the unit with clean compressed air (max. 6 bar) and allow to dry.
4. Before connecting the unit to the voltage supply, check the high-voltage connections and high-voltage plugs. The connections must be clean and dry.
5. Reconnect the unit properly to the voltage supply.

6.2 Accessories

Article	Order number
Special cleaning fluid SRM1	10.7220.000
Special cleaning brush RB1	10.7218.000
Special cleaning system RS1	10.7218.001
Circular brush for special cleaning system TBR	X – 6822

7 Technical data

7.1 Supply voltage

The ionizing units are provided with high voltage from HAUG power packs.

7.2 Ambient conditions

Ambient temperature:	
Rated application range	+5 °C to +45 °C
Extreme range for storage and transport	-15 °C to +60 °C
Humidity:	
Rated application range	20 % to 65 % RF
Extreme range for storage and transport	0 % to 85 % RH

7.3 Dimensions

Type	Cross-section	Length
EI W	approx. 25 x 45 mm	80 – 2000 mm
High tensions lead	-	Customer-specific

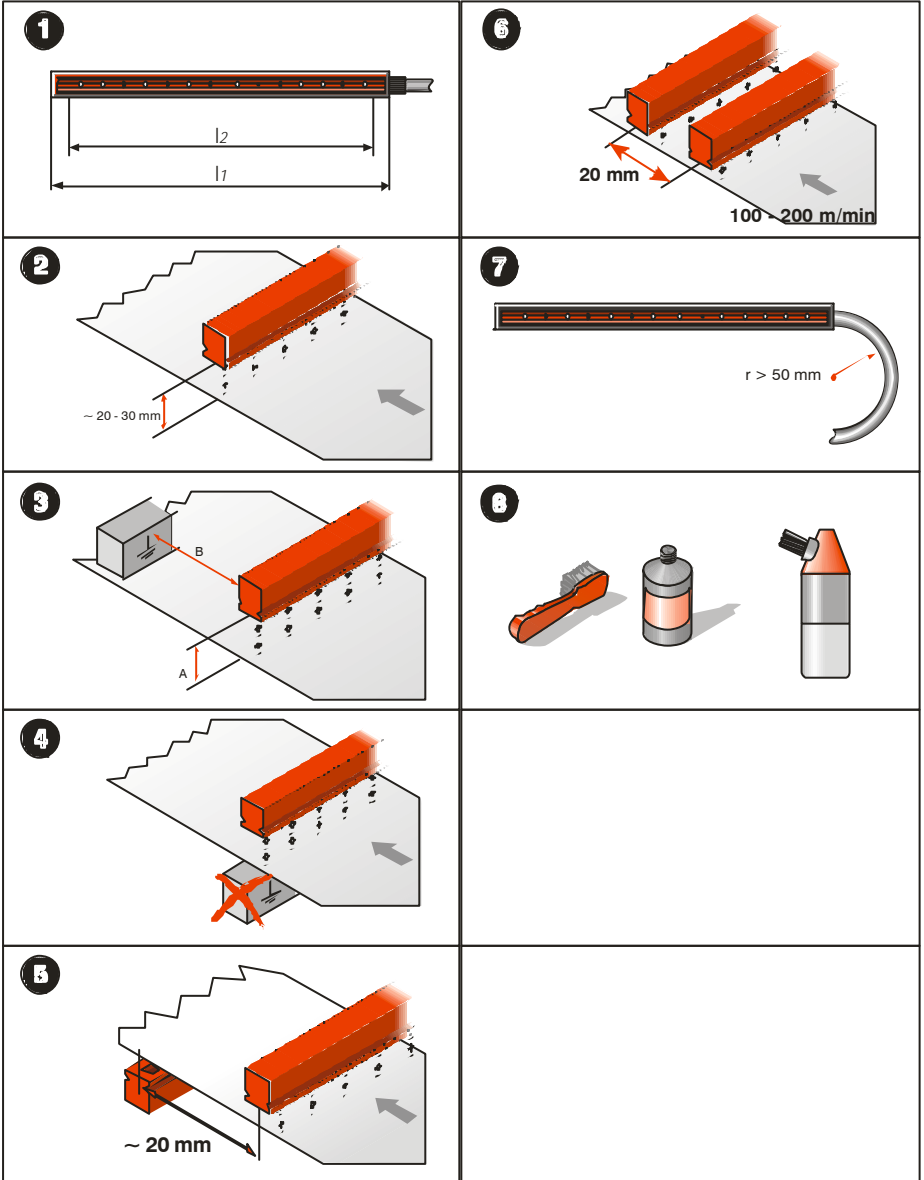
8**Disposal**

Observe and maintain national and regional waste disposal regulations for the disposal of the unit!

NOTES:







made by



HAUG GmbH & Co.KG

Friedrich-List-Straße 18
D-70771 Leinfelden-Echterdingen
Telefon 07 11 / 94 98 - 0
Telefax 07 11 / 94 98 - 298

www.haug.de
E-Mail: info@haug.de

HAUG Biel AG

Postfach
CH-2500 Biel/ Bienne 6
Johann-Renfer-Strasse 60
CH-2500 Biel/ Bienne 6
Telefon 0 32 / 3 44 96 96
Telefax 0 32 / 3 44 96 97

www.haug.de
E-Mail: info@haug-biel.ch