

Operating instructions One Point Ionizer OPI



Operating instructions One Point Ionizer OPI



Static Line



V01



Types: One Point Ionizer OPI

Keep in a safe place for future reference!

Contents

1. Notes on operating instructions
2. Safety
3. Installation
4. Application
5. Remedy of defects
6. Maintenance and repairs
7. Technical data

1 Notes on operating instructions

In these operating instructions, the "OPI" is also referred to as "unit" or "ionizing unit".

1.1 Pictorial markings used

In these operating instructions



Caution!
Important instructions!



Danger!
High voltage!
Danger of fatal accidents!



**Switch off the power pack before connecting
or disconnecting the coaxial connectors!**

In the operating instructions and on the unit



Danger!
High voltage!
Danger of fatal accidents!

2 Safety

The ionizing units of these series are operationally safe, provided that they are operated in accordance with their intended use.

In case of misuse, dangers may result:

- for life and limb of the operator,
- for the unit and other assets.

Also note Chapter 3.1 (Important installation notes).



For operators with heart pacemakers special instructions should be requested from the manufacturer!

During operation of the units, small quantities of ozone will form. In order to ensure adherence to maximum permitted ozone concentrations at the workplace, make sure that the workplace is ventilated sufficiently during operation of the units.



The operator of the units must take care to ensure sufficient ventilation during operation!



The units must be protected from humidity and moisture!

2.1 Intended use

Ionizing units generate positive and negative ions. Their purpose is the elimination of electrostatic charges (e.g. in paper, films and foils, textiles, glass, plastics etc.).

HAUG power packs only must be used for supplying the high voltage to the units.



Do not install or use the units in areas subject to explosion hazards.

For reasons of safety, unauthorized conversions and modifications of the unit are not permitted. The installation and operating conditions indicated in these Operating Instructions must be adhered to.

2.2 Danger sources

Defective high-voltage plugs and cables may lead to danger of electric shocks. Shut down the unit immediately in case of visible damage and suspected electrical defects.



Danger!
High voltage!
Danger of fatal accidents!



**Switch off the power pack before connecting
or disconnecting the coaxial connectors!**

2.3 Operator qualifications

The unit may be installed and put into operation by trained electricians only or by authorized and persons informed about the potential dangers. The above mentioned persons must have read the operating instructions and must follow the instructions, notes and safety advice.

3 Installation

The unit may be installed by trained electricians only and by authorized persons informed about the potential dangers. The above mentioned persons must have read the operating instructions and must follow the instructions, notes and safety advice.

3.1 Important installation instructions

The operation of the unit is not affected by the position in which it is installed.



**Do not connect the units to the power
pack until installation is completed.**



**Switch off the power pack before connecting
or disconnecting the coaxial connectors!**

3.2 Ionizing units

The numerals refer to the illustration at the end of these instructions.

- 1** One Point Ionizer OPI
- 2** Holder with plate
- 3** Most favourable distance ionizing unit - material approx. 20 - 30 mm, min. 10 mm, max. 80 mm.
- 4** Distance B to grounded machine part always greater than distance A.
- 5** Install ionizer so that no machine parts are located behind the material.
- 6** Install high-voltage cables without kinks. Smallest bending radius 50 mm.

4 Application

The unit may be put into operation by trained electricians only or by persons instructed in the potential dangers. The above mentioned persons must have read the operating instructions and must follow the instructions, notes and safety advice.

Conditions:

The power pack and the ionizing unit must be connected correctly.



The operator of the units must take care to ensure sufficient ventilation during operation!



The units must be protected from humidity and moisture!

Disconnect the units properly from the voltage supply and dry if they have become wet or moist.

Ionizing units, in combination with HAUG power packs, are intended for the removal of electrostatic charges (e.g. from paper, films and foils, textiles, glass, plastics etc.). The unit is particularly suited to installation in tight mounting locations.

5 Remedy of defects

Any remedy of defects must be carried out by trained electricians only. The above mentioned persons must have read the operating instructions and must follow the instructions, notes and safety advice.

In case of defects regarding the power pack and the ionizing unit, please check for correct installation first. If this does not solve the problem, please return the power pack together with the ionizing unit for examination.



Danger!
High voltage!
Danger of fatal accidents!



***Switch off the power pack before connecting
or disconnecting the coaxial connectors!***

6 Maintenance and repairs



Danger!
High voltage!
Danger of fatal accidents!

This unit does not include any parts which can be maintained or repaired by the operator.

Should the unit prove defective or if a defect is suspected, switch off unit immediately and secure against subsequent reuse.

7

Clean at intervals of no more than 14 days using the special cleaning brush RB1 and special cleaning fluid SRM1 or the special cleaning system RS1 (refer to "Accessories").

Before cleaning, disconnect the units properly from their power supply.

6.1 Accessories

Holder with plate	10.7207.002
Special cleaning fluid SRM1	10.7220.000
Special cleaning brush RB1	10.7218.000
Special cleaning system RS1	10.7218.001
Circular brush for special cleaning system TBR	X – 6822

7 Technical data

7.1 Supply voltage

The ionizing units are provided with high voltage from HAUG power packs.

7.2 Ambient conditions

Ambient temperature:

Rated application range	+5 °C to +45 °C
Extreme range for storage and transport	-15 °C to +60 °C

Humidity:


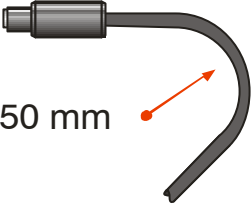
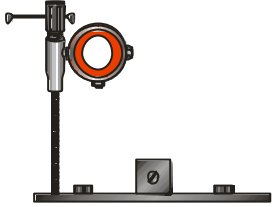
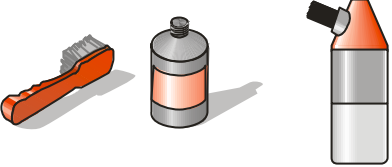
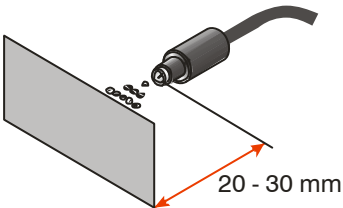
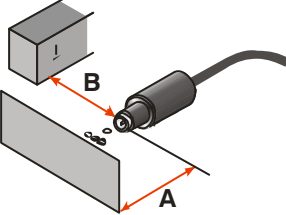
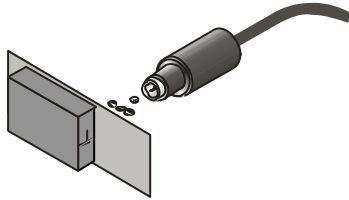
Rated application range	20 % to 65 % RH
Extreme range for storage and transport	0 % to 85 % RH

7.3 Dimensions

Type	Cross-section	Length
OPI	Ø 16 mm	45 mm

High tensions lead

Length customer-specific

<p>1</p> 	<p>6</p>  <p>$r > 50 \text{ mm}$</p>
<p>2</p> 	<p>7</p> 
<p>3</p>  <p>20 - 30 mm</p>	
<p>4</p>  <p>A</p> <p>B</p>	
<p>5</p> 	





made by



HAUG GmbH & Co.KG

Friedrich-List-Straße 18
D-70771 Leinfelden-Echterdingen
Telefon 07 11 / 94 98 - 0
Telefax 07 11 / 94 98 - 298

www.haug.de

E-Mail: info@haug.de

HAUG Biel AG

Postfach
CH-2500 Biel/ Bienne 6
Johann-Renfer-Strasse 60
CH-2500 Biel/ Bienne 6
Telefon 0 32 / 3 44 96 96
Telefax 0 32 / 3 44 96 97

www.haug.de

E-Mail: info@haug-biel.ch